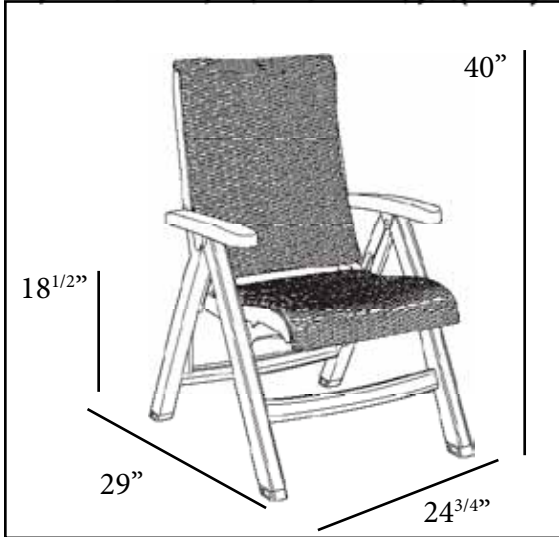




COMMERCIAL RESIN FURNITURE

Your best value for Food Service & Hospitality!



Java All Weather Wicker Folding Chair

Meets the performance standards of EN 581-1 and EN 581-2 for commercial use.

Wicker Weave is Easy to Replace!

Features & Benefits **Warranty: 3 Yrs.**

- Specifically designed to provide comfort and ease of utilization and storage in hospitality environments.
- High strength resin wicker frame, specifically woven to perform in commercial outdoor environments.
- Viro® branded fiber highly flexible for comfort and resistant to color fading, cracking, peeling & breaking.
- Color coordinates with Grosfillex® Java All Weather Wicker chaise.
- Rated to 300 lbs. in compliance with the requirements of EN 1728 for non-residential use.
- Hard wearing footpads for extra wear resistance on hard deck surfaces.
- Folds flat for easy storage.
- Easy to clean - simply powerwash!
- A locking device secures the seat of the chair into position for safe use.
- Easy to replace wicker weave for repair or renovation.

Product Specifications						
Product Description	Reference Number	Color	UPC Code 014306	Weight Each (lbs.)	Master Pack	Master Pack Volume (cu. ft.)
Java All Weather Wicker Chair	CT356037	Espresso	912356	21.46	2	8.58
	CT357008	Honey	912363			
	CT406181	Mocaccino	914589			